

Sunmodule[®] SW 130/140 poly R6A



Produced in Germany,
the hotspot for solar technology



TUV Power controlled:
Lowest measuring tolerance in industry



25 year performance warranty and
5 year product warranty



World class quality

SolarWorld produces the best products with the highest quality, manufactured according to German and US quality standards in fully-automated ISO 9001 and 14001 certified factories.

TUV "Power controlled"

With the new TUV Rheinland test "Power controlled" it is guaranteed that the performance indicated for a Sunmodule solar panel is being met and that it is regularly monitored by the independent test service provider, TUV Rheinland. This additional security for investors and consumers is a further testament of SolarWorld's commitment to comprehensive quality assurance.

Outstanding products

SolarWorld's modules were assessed by the ÖKO-TEST consumer magazine as "excellent".

An experienced industry leader

With over 30 years of experience in off-grid solar applications – SolarWorld delivers top products and technical experience at the highest levels. Our modules are installed in over 100,000 Telecom/Industrial systems worldwide. Nobody else comes close.



Sunmodule® SW 130/140 poly R6A

PERFORMANCE UNDER STANDARD TEST CONDITIONS (STC)*

		SW 130	SW 140
Maximum power	P_{max}	130 Wp	140 Wp
Open circuit voltage	U_{oc}	21.5 V	22.1 V
Maximum power point voltage	U_{mpp}	17.4 V	18.0 V
Short circuit current	I_{sc}	7.99 A	8.35 A
Maximum power point current	I_{mpp}	7.49 A	7.85 A

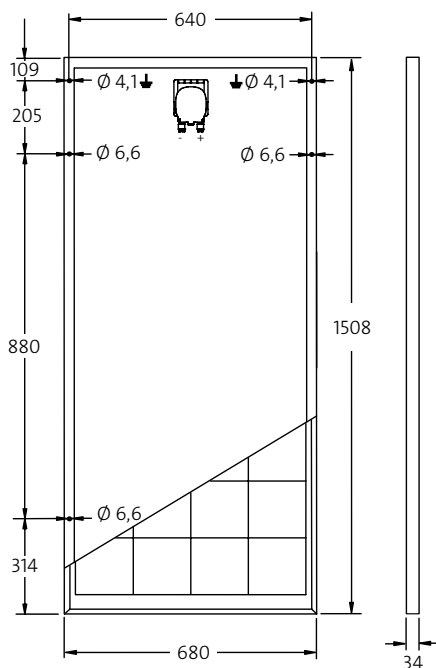
Measuring tolerance (P_{max}) traceable to TUV Rheinland: +/- 2% (TUV Power controlled)

*STC: 1000W/m², 25°C, AM 1.5

PERFORMANCE AT 800 W/m², NOCT, AM 1.5

		SW 130	SW 140
Maximum power	P_{max}	94.6 Wp	102.1 Wp
Open circuit voltage	U_{oc}	19.8 V	20.0 V
Maximum power point voltage	U_{mpp}	15.8 V	16.3 V
Short circuit current	I_{sc}	6.44 A	6.73 A
Maximum power point current	I_{mpp}	5.99 A	6.28 A

Minor reduction in efficiency under partial load conditions at 25°C: at 200 W/m², 95% (+/-2%) of the STC efficiency (1000 W/m²) is achieved.



DIMENSIONS

Length	1508 mm
Width	680 mm
Height	34 mm
Frame	Aluminum
Weight	11.8 kg

COMPONENT MATERIALS

Cells per module	36
Cell type	Poly crystalline
Cell dimensions	156 mm x 156 mm
Front	tempered glass (EN 12150)

THERMAL CHARACTERISTICS

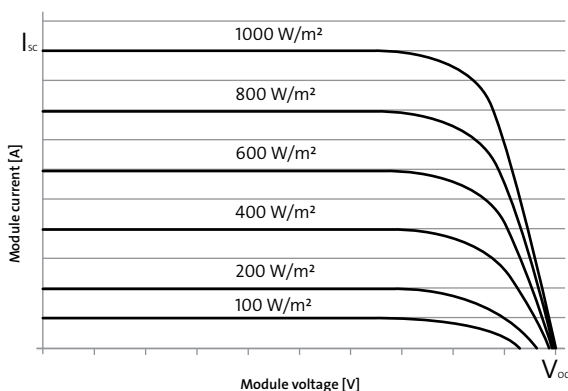
NOCT	46 °C
TC I_{sc}	0.081 %/K
TC U_{oc}	-0.37 %/K
TC P_{mpp}	-0.45 %/K

ADDITIONAL DATA

Power sorting	+/- 5 %
J-Box	IP65

PARAMETERS FOR OPTIMAL SYSTEM INTEGRATION

Maximum system voltage SC II	1000 V
Maximum reverse current	15 A
Number of bypass diodes	2



- Qualified, IEC 61215
- Safety tested, IEC 61730
- Periodic Inspection
- Power Controlled



SolarWorld AG reserves the right to make specification changes without notice. This data sheet complies with the requirements of EN 50380.

1) UL listing depending on the market.